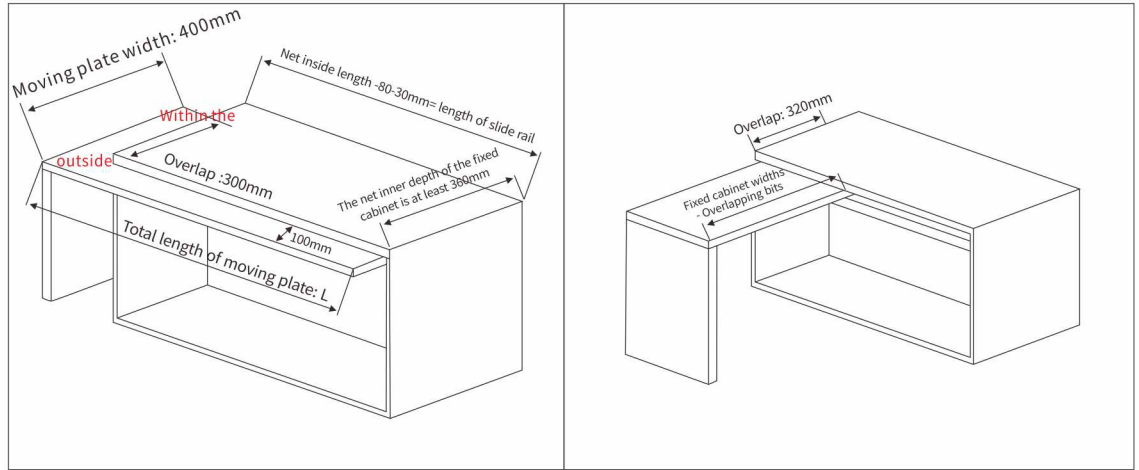


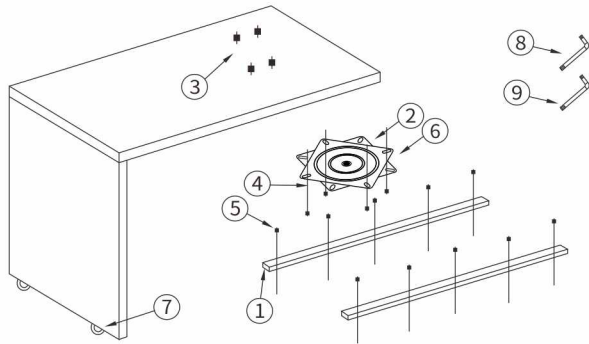
DB5016T INSTALLATION DIAGRAM OF GUIDE 38 EXTENDED ROTATING SLIDE

Main features:

- All aluminum alloy metal material, shiny outside.
- Invisible slide rail, can cooperate with guide table, dining table and so on Kind of application scenario.
- Single expansion of invisible guide rail, smooth pulling, quiet.
- Easy to install and disassemble.
- Cabinet minimum table width: 450mm
- Minimum table length: 800mm
- Total height of track and turntable: 52mm
- Bearing weight: 80kg.
- Patented products!



Product detail

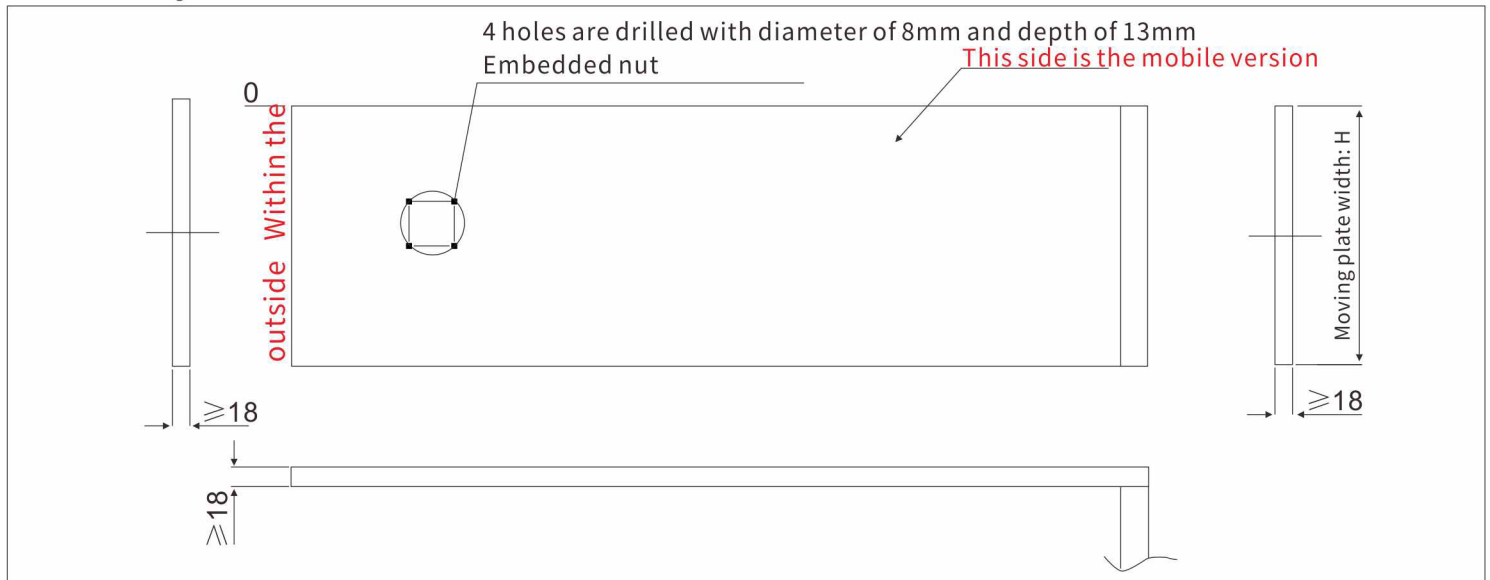


Serial number	name	quantity	Serial number	name	quantity
1	38 wide guide rails	L+R	5	M4*16 Self-tapping screw	24pcs
2	Swivel seat	1pcs	6	M5*10 Black screw	4pcs
3	Expansion nut	4pcs	7	Movable brake caster	2pcs
4	M6*10 Cup head screw	4pcs			

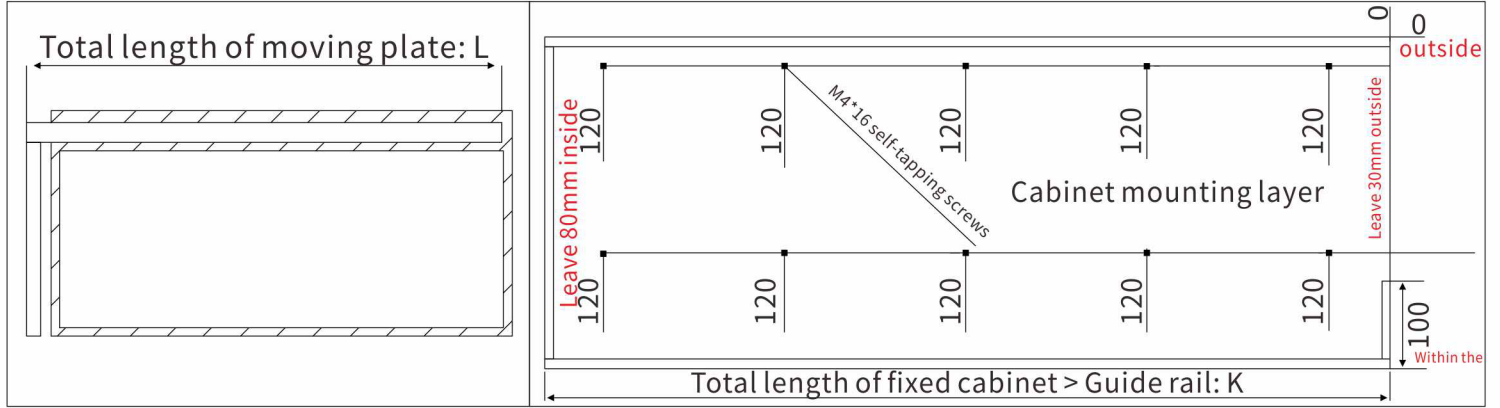
Ordering information

1 	Name: rail
	Material: Aluminum oxidation
	Specifications: Length customization
	Quantity: 1SET
2 	Name: Swivel seat
	Material: Aluminum oxidation
	Specifications: 210mm
	Quantity: 1PCS
Packaging: 1SET/ctn	
Name:	
Material:	
Specifications:	
Quantity:	
Packaging:	

Cabinet mounting size (mm)



Cabinet size (mm)



Guide mounting procedure

